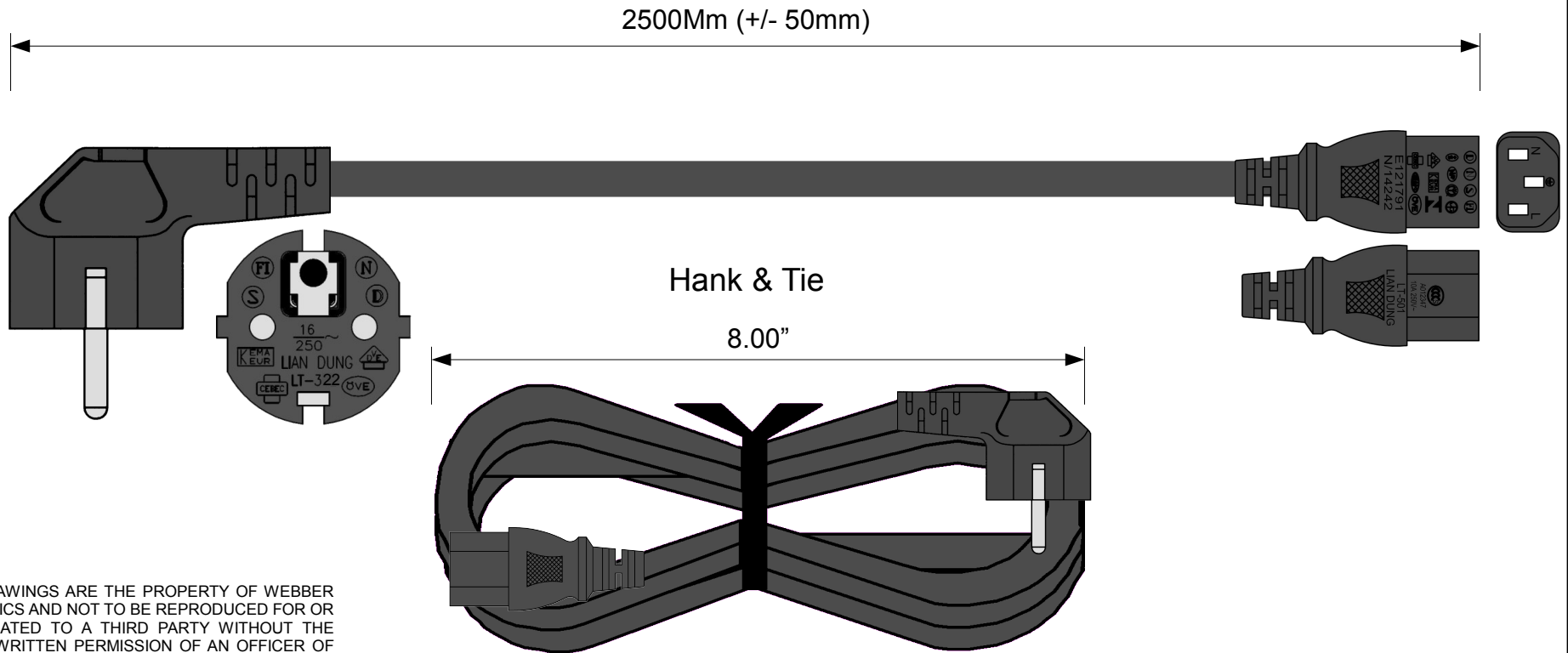


WebberElectronics®



THESE DRAWINGS ARE THE PROPERTY OF WEBBER ELECTRONICS AND NOT TO BE REPRODUCED FOR OR COMMUNICATED TO A THIRD PARTY WITHOUT THE EXPRESS WRITTEN PERMISSION OF AN OFFICER OF WEBBER ELECTRONICS. WE RESERVE THE RIGHT TO ALTER NON-CRITICAL DIMENSIONS AND SPECIFICATIONS WITHOUT NOTICE.



WEBBER ELECTRONICS
 38887 TAYLOR PARKWAY
 NORTH RIDGEVILLE, OH 44039 USA
 PHONE: (440) 327-7200
 FAX: (440) 327-7077
 EMAIL: SALES@WEBBERELECTRONICS.COM
 EMAIL: POWERCORDS@WEBBERELECTRONICS.COM

Webber Electronics	P/N: CL60635-BL-SP
Cord: HO5VV-F 3*1.00mm	10A/250V Black (4 Pack)
Plug: CEE 7/7 "SHUCKO" RA	European Power Cord
End: IEC320-C13	RoHS 04.20.2012 KP