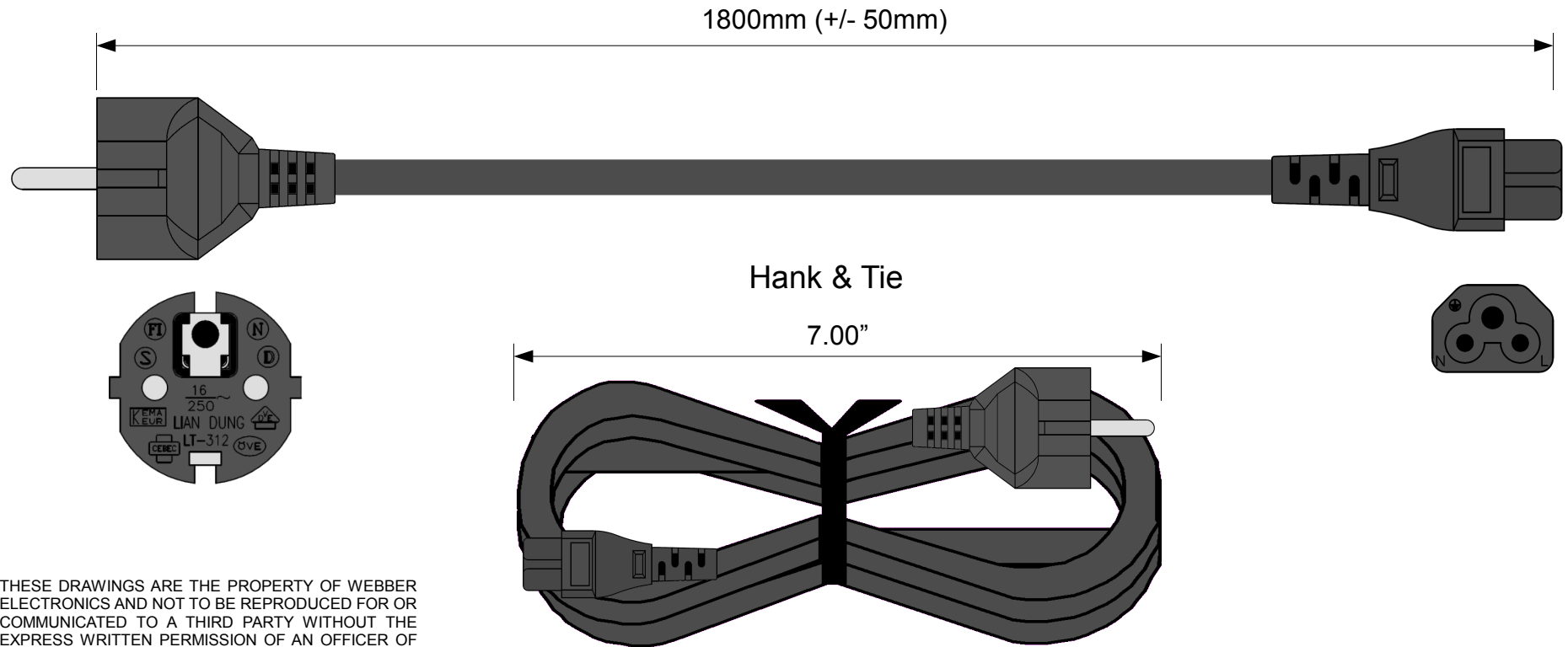


WebberElectronics®



THESE DRAWINGS ARE THE PROPERTY OF WEBBER ELECTRONICS AND NOT TO BE REPRODUCED FOR OR COMMUNICATED TO A THIRD PARTY WITHOUT THE EXPRESS WRITTEN PERMISSION OF AN OFFICER OF WEBBER ELECTRONICS. WE RESERVE THE RIGHT TO ALTER NON-CRITICAL DIMENSIONS AND SPECIFICATIONS WITHOUT NOTICE.



WEBBER ELECTRONICS
 38887 TAYLOR PARKWAY
 NORTH RIDGEVILLE, OH 44039 USA
 PHONE: (440) 327-7200
 FAX: (440) 327-7077
 EMAIL: SALES@WEBBERELECTRONICS.COM
 EMAIL: POWERCORDS@WEBBERELECTRONICS.COM



| | |
|-------------------------------|---------------------|
| Webber Electronics | P/N: CL60541 |
| Cord: HO5VV-F 3*0.75mm | 2.5A/250V Black |
| Plug: CEE 7/7 "SHUCKO" | European Power Cord |
| End: IEC320-C5 | RoHS 04.20.2012 KP |